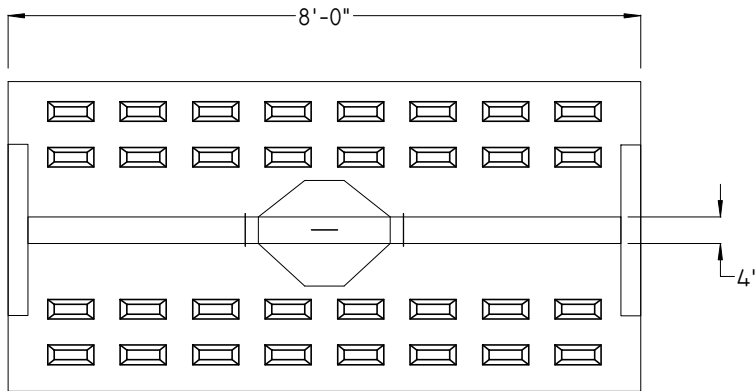
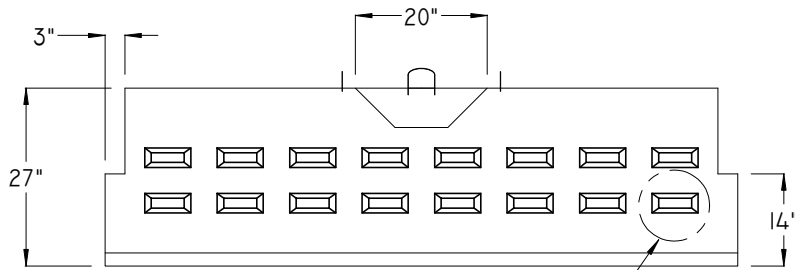


**DESIGN NOTES**

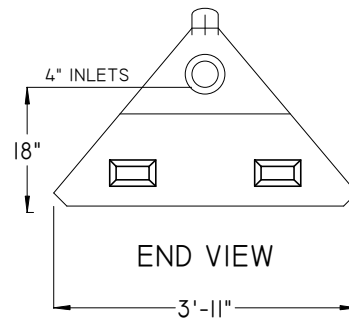
1. CONCRETE - 5000 PSI, 28 DAYS
2. REINFORCEMENT - ASTM A-615, GRADE 60



TOP VIEW



SIDE VIEW



END VIEW

