

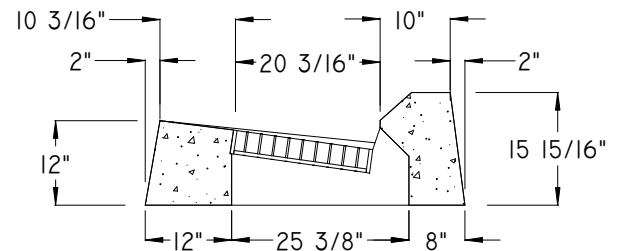
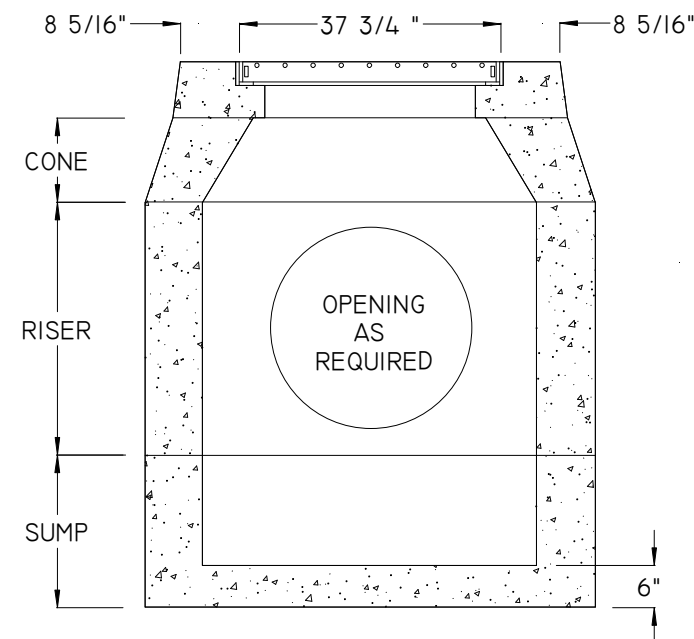
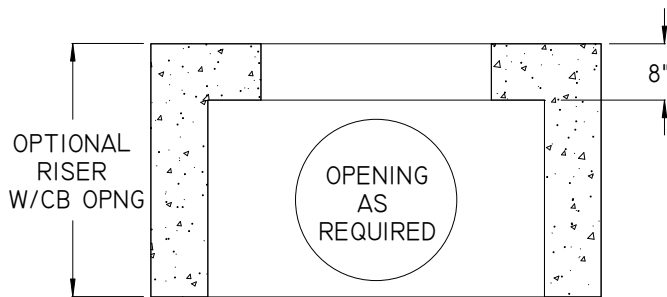
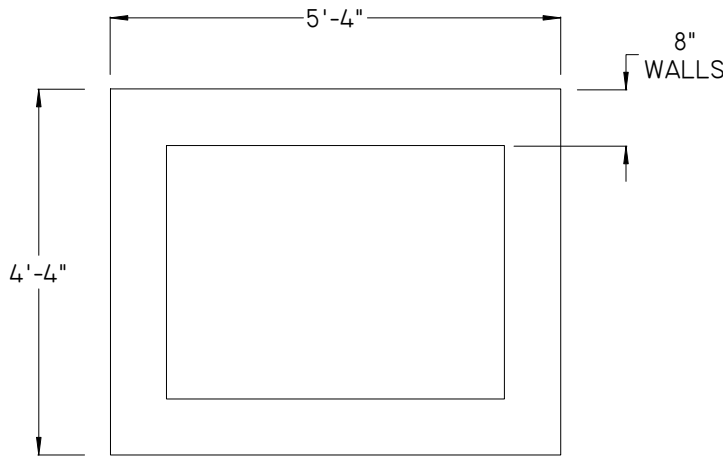
CB - CUSTOM

CUSTOM CATCH BASIN

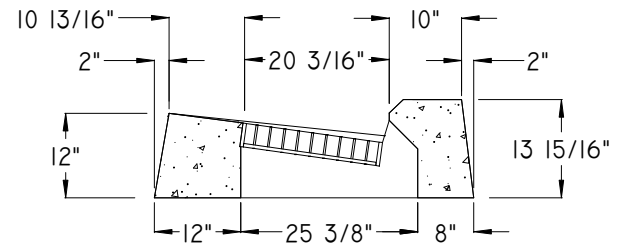
SUMP	1'6", 2', 2'6", 3', AND 4'
RISER	1', 1'6", 2', 2'6", 3', 3'6", AND 4'
CONE	6", 8", 12", AND 18"
RISER W/CB	2'2", 2'8", 3'2", 3'8", 4'2" AND 4'8"

DESIGN NOTES

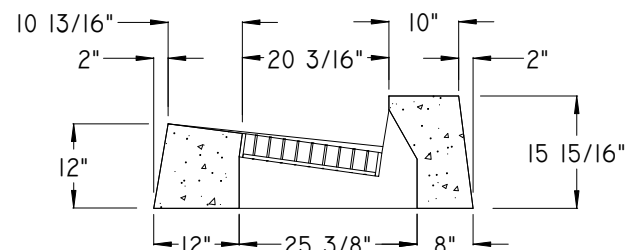
1. CONCRETE -5000 PSI, 28 DAYS
2. REINFORCEMENT - ASTM A-615, GRADE 60
3. OPTIONAL GALVANIZED FRAME & GRATE
4. RISER WITH CB OPNG
 CL TOP - 2'8 3/4" X 1'8 1/2" OPENING
 C TOP - 2'8 3/4" X 2'1 1/2" OPENING



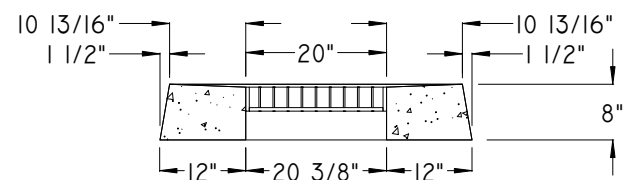
BITUMINOUS CURB TOP



PARK CURB TOP



CONCRETE CURB TOP



FLAT TOP