

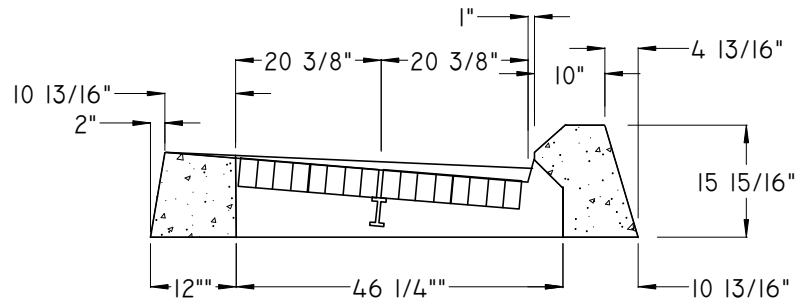
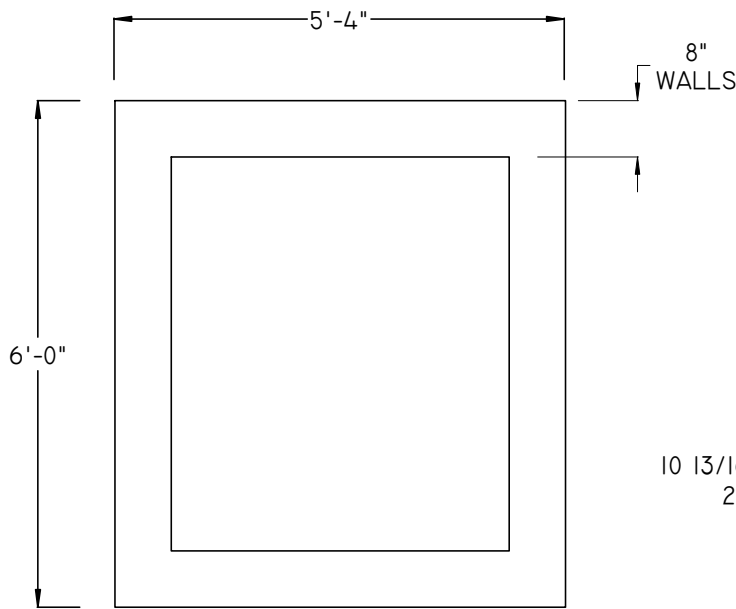
DCB I - CUSTOM

CUSTOM CATCH BASIN DOUBLE TYPE I

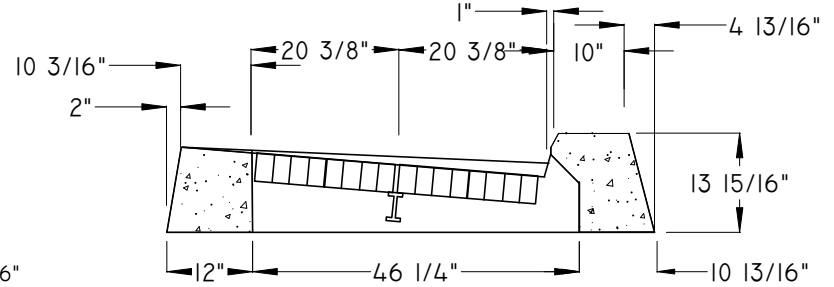
SUMP	1'6", 2', 2'6", 3', AND 4'
RISER	1', 1'6", 2', 2'6", 3', 3'6", AND 4'
CONE	12"
RISER W/CB OPNG	2'8", 3'2", 3'8", 4'2" AND 4'8"

DESIGN NOTES

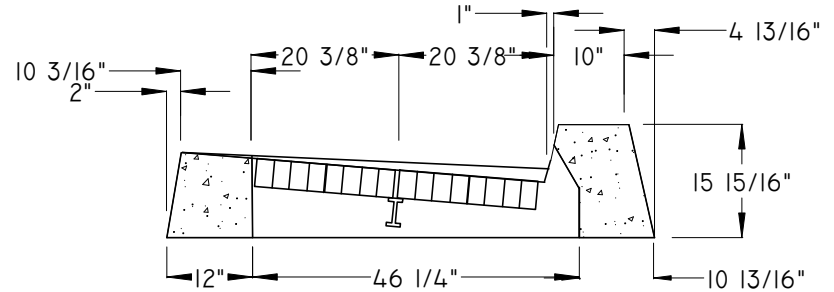
1. CONCRETE -5000 PSI, 28 DAYS
2. REINFORCEMENT - ASTM A-615, GRADE 60
3. OPTIONAL GALVANIZED FRAME & GRATE
4. RISER WITH CB OPNG
CL TOP - 2'8 3/4" X 3'4 3/4" OPENING
C TOP - 2'8 3/4" X 3'10 1/4" OPENING



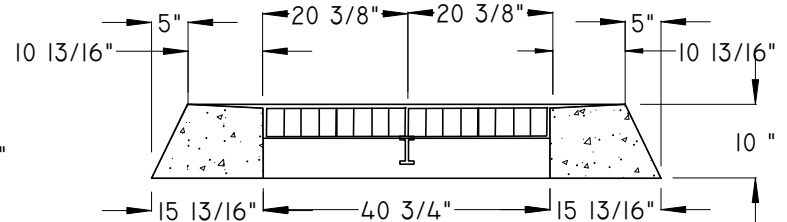
BITUMINOUS CURB TOP



PARK CURB TOP



CONCRETE CURB TOP



FLAT TOP

