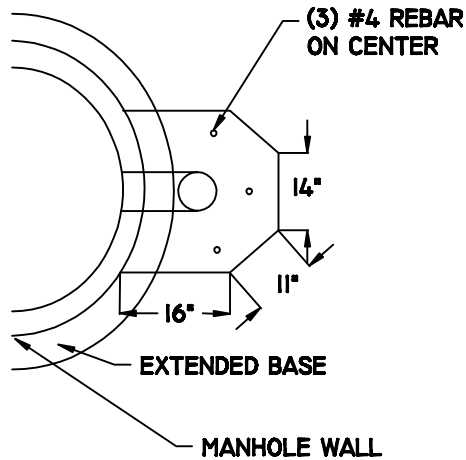


RISER FORM BLOCK



DESIGN NOTES:

1. CONCRETE - 4000 PSI, 28 DAYS
2. REINFORCING STEEL CONFORMS TO LATEST ASTM A615.
3. DROP UNIT IS CAST ON MANHOLE BASE ENSURING A POSITIVE BOND WHICH ELIMINATES SETTLING OR SHIFTING.
RISER FORM BLOCKS GIVE CONTRACTOR FLEXIBILITY TO ADJUST INCOMING PIPE ELEV. NO FORMS ARE REQUIRED.
4. MAX DROP PIPE IS 10" DIA.

ANY MODIFICATIONS TO THIS DOCUMENT WITHOUT THE WRITTEN CONSENT OF ARROW CONCRETE PRODUCTS SHALL RENDER IT INVALID AND UNUSABLE.

ARROW
Concrete Products
PROGRESS IN PRECAST
www.arrow-concrete.com

MANHOLE OUTSIDE
DROP

MOD

SCALE:
N.T.S.

DATE:
7/17/09

DRAWN:
JPW

DWG #

539 ORONOQUE ROAD
MILFORD, CONNECTICUT
(203) 301-5091

560 SALMON BROOK STREET
GRANBY, CT 06035
(860) 653-5063

21 VERASON AVENUE
NORWICH, CONNECTICUT
(860) 889-2213