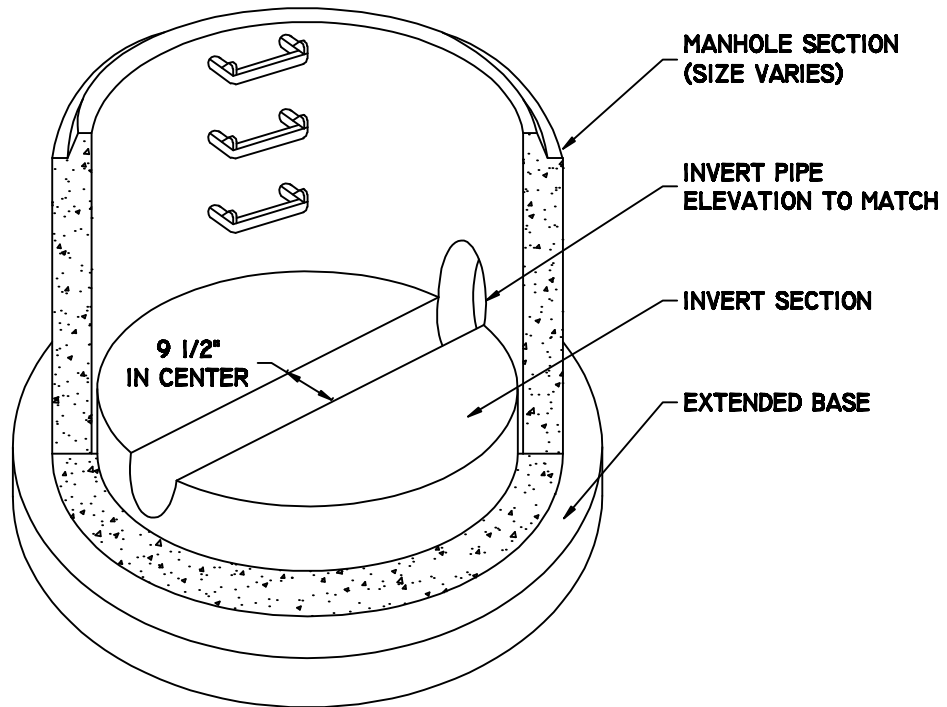


**ELEVATION VIEW**



**DESIGN NOTES:**

1. CONCRETE - 4000 PSI, 28 DAYS
2. REINFORCING STEEL CONFORMS TO LATEST ASTM A185 SPECS.
3. PRECAST INVERT CAN BE SET FOR EVERY 9 DEGREES OF DEFLECTION.
4. PRECAST INVERT AVAILABLE FOR TWO-WAY MANHOLES ONLY.
5. INSERT TO BE GROUTED BY CONTRACTOR.

ANY MODIFICATIONS TO THIS DOCUMENT WITHOUT THE WRITTEN CONSENT OF ARROW CONCRETE PRODUCTS SHALL RENDER IT INVALID AND UNUSABLE.

**ARROW**  
Concrete Products  
PROGRESS IN PRECAST  
www.arrow-concrete.com

**48" DIAMETER  
PRECAST INVERT**

**SMH - INVERT**

SCALE:	N.T.S.
DATE:	7/17/09
DRAWN:	JPW
DWG #	

539 ORONOQUE ROAD  
MILFORD, CONNECTICUT  
(203) 301-5091

560 SALMON BROOK STREET  
GRANBY, CT 06035  
(860) 653-5063

21 VERASON AVENUE  
NORWICH, CONNECTICUT  
(860) 889-2213